

PHILIPS

**Training BDP 7100
Repair**

Euroservice
Service Training
Theo Heijnen
December 2007

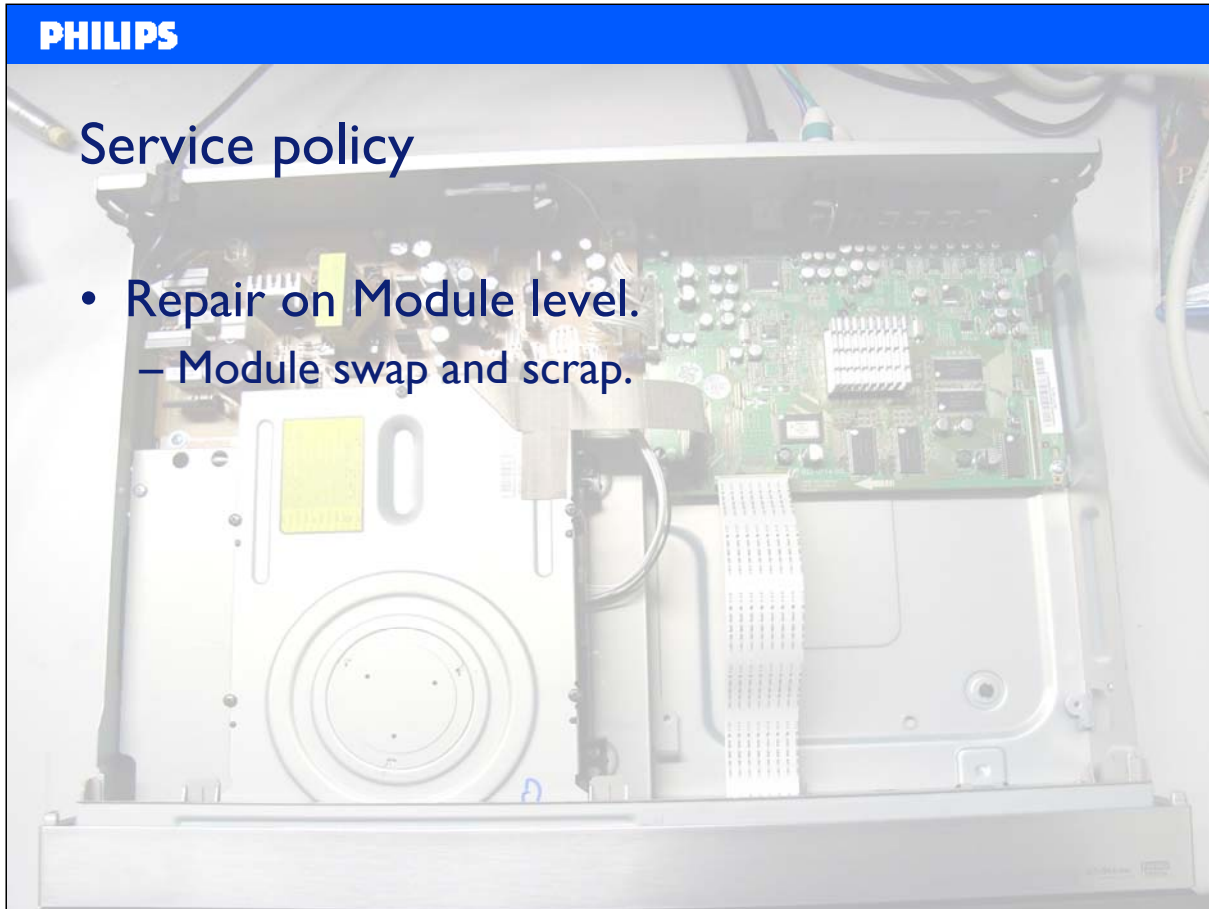
PERSONAL NOTES:

All rights are reserved. Reproduction in whole or in part is prohibited without the written consent of the copyright owner.

PHILIPS

Service policy

- Repair on Module level.
 - Module swap and scrap.



PERSONAL NOTES:

All rights are reserved. Reproduction in whole or in part is prohibited without the written consent of the copyright owner.

PHILIPS

PHILIPS

Required test equipment for BDP7100.

- TV set with HDMI input 1080P
- Home cinema set with more audio inputs
- HDMI cat2 cable
- Component cable
- CVBS cable
- Audio CINCH cables
- Oscilloscope + Multimeter
- BD disc's to test the codec's
- SW upgrade disc



Philips CE Europe, Euroservice, November 2007

BDP7100 Repair Instructions Slide 3

PERSONAL NOTES:

All rights are reserved. Reproduction in whole or in part is prohibited without the written consent of the copyright owner.

PHILIPS

PHILIPS

Discs to test the player:

BD movies codec test:

1) Video codec: VC 1

Superman returns	Warner Bros	BDMV	BD-50	HD 1080P Presentation (16X9) 2.4:1	1080P	VC1
------------------	-------------	------	-------	------------------------------------	-------	-----

2) MPEG 2

Resident evil: Apclypse	Sony Pictures Hom Entertainment	BDMV		HD widescreen Presentation (2.40:1) 1920 X 1080P	1080P	MPEG-2
-------------------------	---------------------------------	------	--	--	-------	--------

3) MPEG 4: AVC

The League of Extraordinary Gentleman	20th Century Fox	BD-J	BD-25	AVC 16 MBPS 2003/color 110mins Widescreen 2:35:1 25GB single layer	1080P	AVC	English DTS-HD 5.1 Master lossless audio Spanish (5.1 dolby digital) French dolby digital)
---------------------------------------	------------------	------	-------	--	-------	-----	---

4) BD+ & BD-J checking

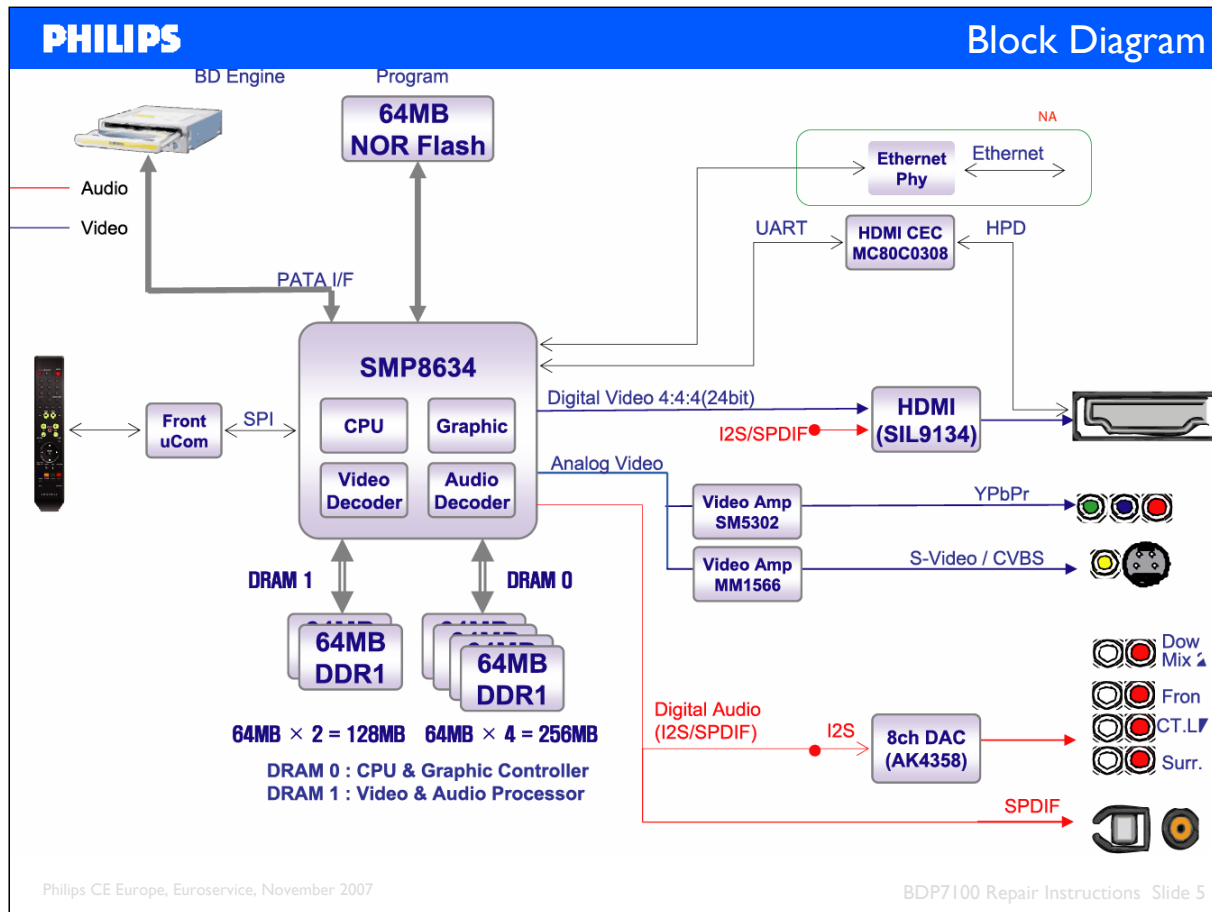
The Descent	LionsGate	BD-J	BD-50	1080P High Definition 16X9 Widescreen version 2005/color 99mins	1080P, 1080i, 480P, 480i	AVC, MPEG-2	English: PCM 6.1 English: Dolby Digital 5.1 EX
The Day after Tomorrow	20th Century Fox	BD+	BD-50	MPEG-4 AVC Video resolution: 1080p Aspect ratio: 2.35:1	1080P	MPEG-4 AVC	English: DTS-HD Master Audio 5.1 French: Dolby Digital 5.1 Spanish: Dolby Digital 5.1
Fantastic Four: Rise of the Silver Surfer	20th Century Fox	BD+	BD-50	MPEG-4 AVC Video resolution: 1080p Aspect ratio: 2.35:1	1080P	MPEG-4 AVC	English: DTS-HD Master Audio 5.1 English: Dolby Digital 5.1 French: Dolby Digital 5.1 Spanish: Dolby Digital 5.1
Cars	Disney / Buena Vista	BD-J	50GB Blu-ray Disc Two-disc set	MPEG-4 AVC Video resolution: 1080p Aspect ratio: 2.35:1	1080P	MPEG-4 AVC	English: PCM 5.1 (48kHz, 24-bit) English: Dolby Digital 5.1 French: Dolby Digital 5.1 Spanish: Dolby Digital 5.1
Pirates of the Caribbean: Dead Man's Chest	Disney / Buena Vista	BD-J	50GB Blu-ray Disc Two-disc set	Video codec: MPEG-4 AVC Video resolution: 1080p Aspect ratio: 2.35:1	1080P	MPEG-4 AVC	English: PCM 5.1 (48kHz, 24-bit) English: Dolby Digital 5.1 French: Dolby Digital 5.1 Spanish: Dolby Digital 5.1

Philips CE Europe, Euroservice, November 2007

BDP7100 Repair Instructions Slide 4

PERSONAL NOTES:

All rights are reserved. Reproduction in whole or in part is prohibited without the written consent of the copyright owner.



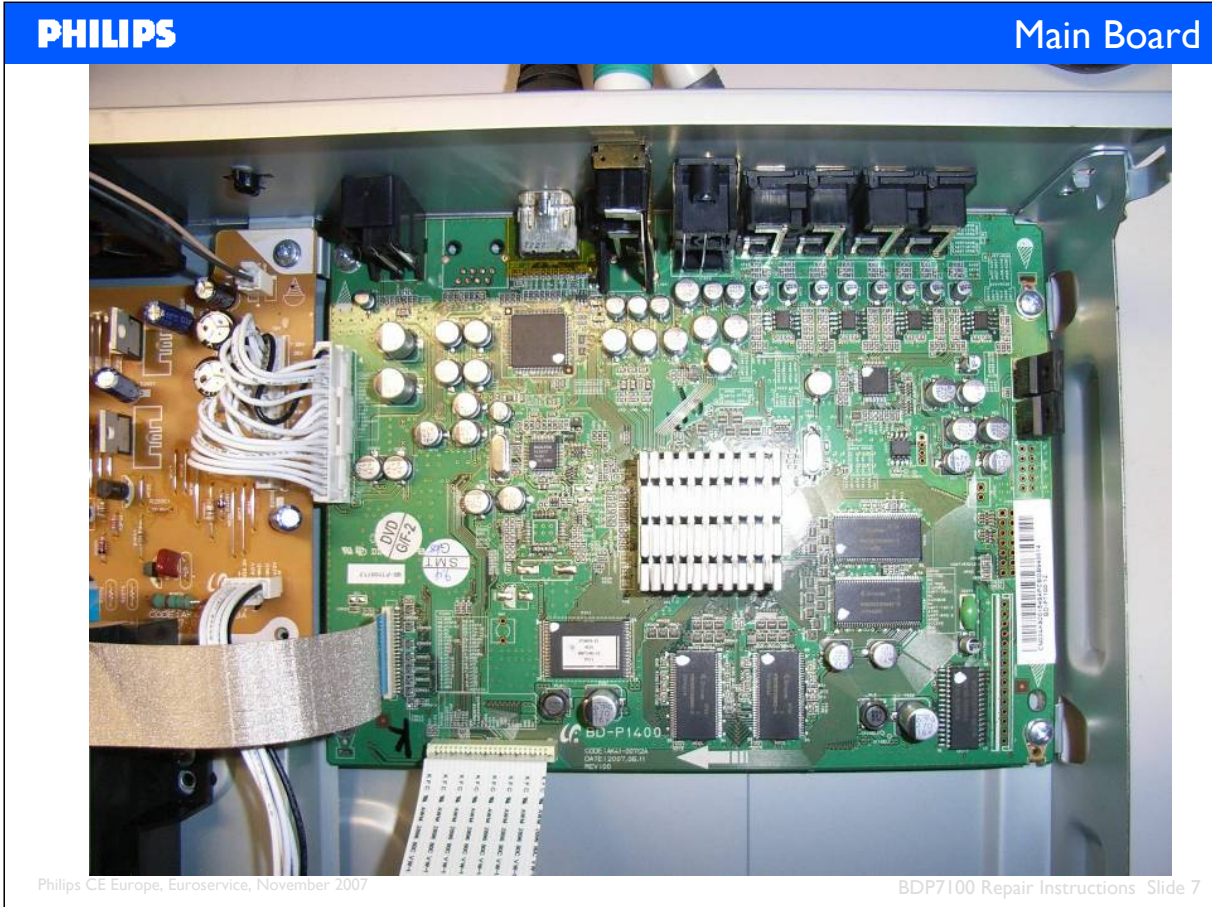
PERSONAL NOTES:

All rights are reserved. Reproduction in whole or in part is prohibited without the written consent of the copyright owner.



PERSONAL NOTES:

All rights are reserved. Reproduction in whole or in part is prohibited without the written consent of the copyright owner.



PERSONAL NOTES:

All rights are reserved. Reproduction in whole or in part is prohibited without the written consent of the copyright owner.

PHILIPS

Power Supply



Philips CE Europe, Euroservice, November 2007

BDP7100 Repair Instructions Slide 8

PERSONAL NOTES:

All rights are reserved. Reproduction in whole or in part is prohibited without the written consent of the copyright owner.

PHILIPS

PHILIPS

Loader



Philips CE Europe, Euroservice, November 2007

BDP7100 Repair Instructions Slide 9

PERSONAL NOTES:

All rights are reserved. Reproduction in whole or in part is prohibited without the written consent of the copyright owner.

PHILIPS

PHILIPS

Remove Loader

Cooling Pads on frame.
Don't remove!



Rear side of the Loader

Philips CE Europe, Euroservice, November 2007

BDP7100 Repair Instructions Slide 10

PERSONAL NOTES:

All rights are reserved. Reproduction in whole or in part is prohibited without the written consent of the copyright owner.



To remove the disc in case of a complete mall function of the loader:

Remove the 4 screws of the loader.

Release clips from the front panel and move the front panel a bit to front.

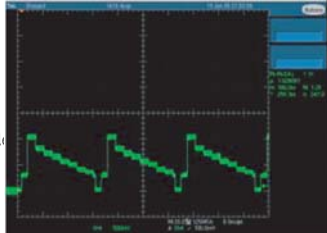
Loader can be removed completely.

With a screw driver the loader can be opened now. (Turn white wheel anti clockwise).

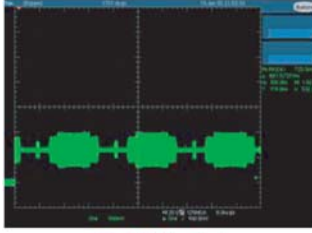
PERSONAL NOTES:

All rights are reserved. Reproduction in whole or in part is prohibited without the written consent of the copyright owner.

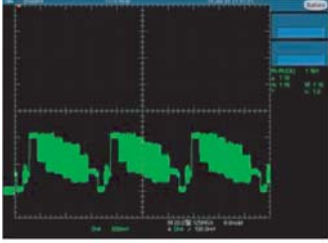
PHILIPS
Check Video Outputs



4 Y(Color-bar)
Pin (MIC1-VC2,VIC1-VR7)



5 C(Color-bar)
Pin (MIC1-VC3,VIC1-VR21)



6 CVBS(Color-bar)
Pin (MIC1-VC4,VIC1-VR22)

Philips CE Europe, Euroservice, November 2007 1s Slide 12

PERSONAL NOTES:

All rights are reserved. Reproduction in whole or in part is prohibited without the written consent of the copyright owner.

PHILIPS
Check Video Outputs

① Y(Color-bar)
Pin (MIC1-VE26,VR37)

② Pb(Color-bar)
Pin (MIC1-VE27,VR44)

③ Pr(Color-bar)
Pin (MIC1-VE28,VR46)

Philips CE Europ
BDP7100 Repair Instructions Slide 13

PERSONAL NOTES:

All rights are reserved. Reproduction in whole or in part is prohibited without the written consent of the copyright owner.

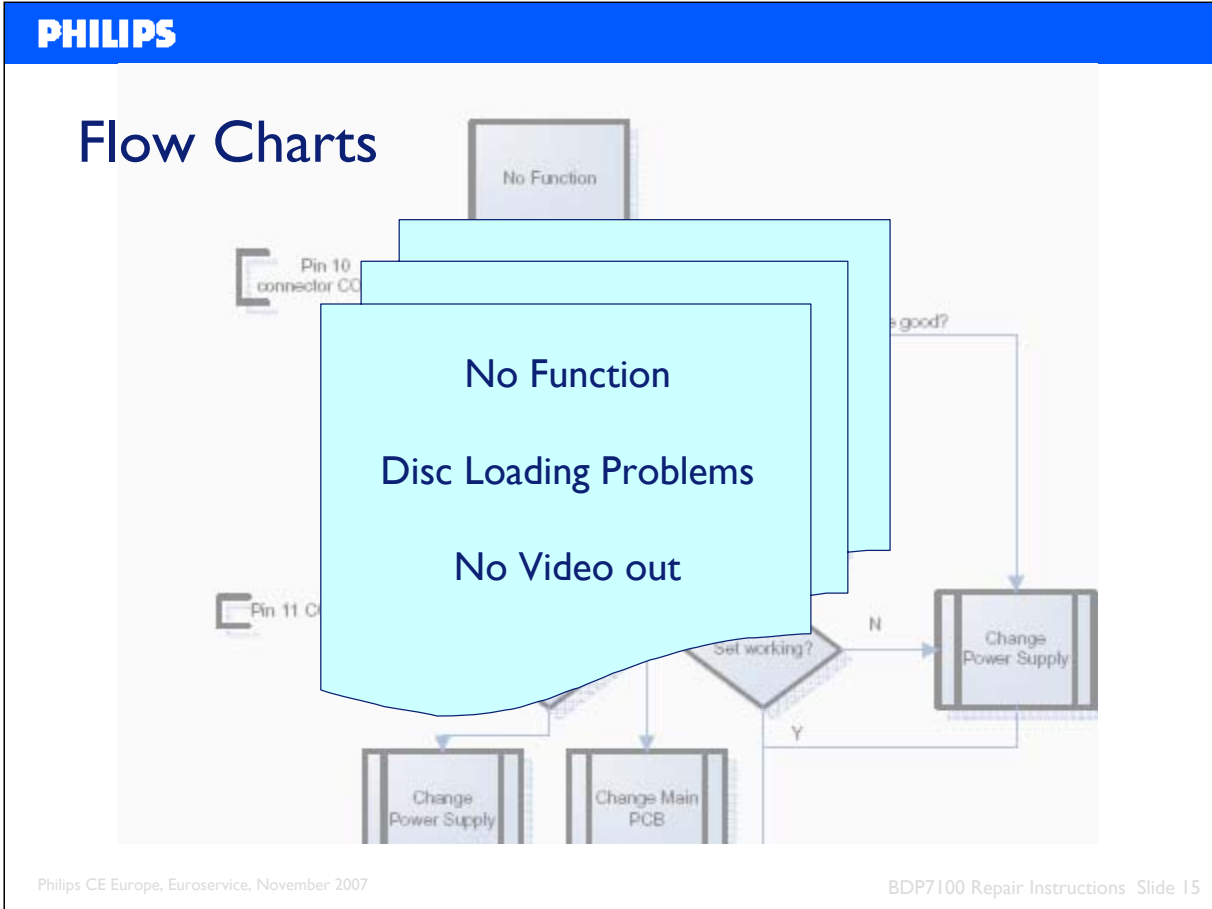
PHILIPS			Power Supply	
VCC5V	1	ON	StBy	
VCC5V	2	5V	0	
GND	3	5V	0	
GND	4	gnd	0	
VCC3.3V	5	gnd	0	
GND	6	3v3	0	
A-9V	7	gnd	0	
A+9V	8	-15V	0	
GND	9	+12V	0	
FF_AL5V	10	gnd	0	
F_ON_OFF	11	+5V	+5V	
-28V	12	+4V	0	
GND	13	-26V	-26V	
VF+	14	gnd	0	
VF-	15	-18V	-22V	

Philips CE Europe, Euroservice, November 2007

BDP7100 Repair Instructions Slide 14

PERSONAL NOTES:

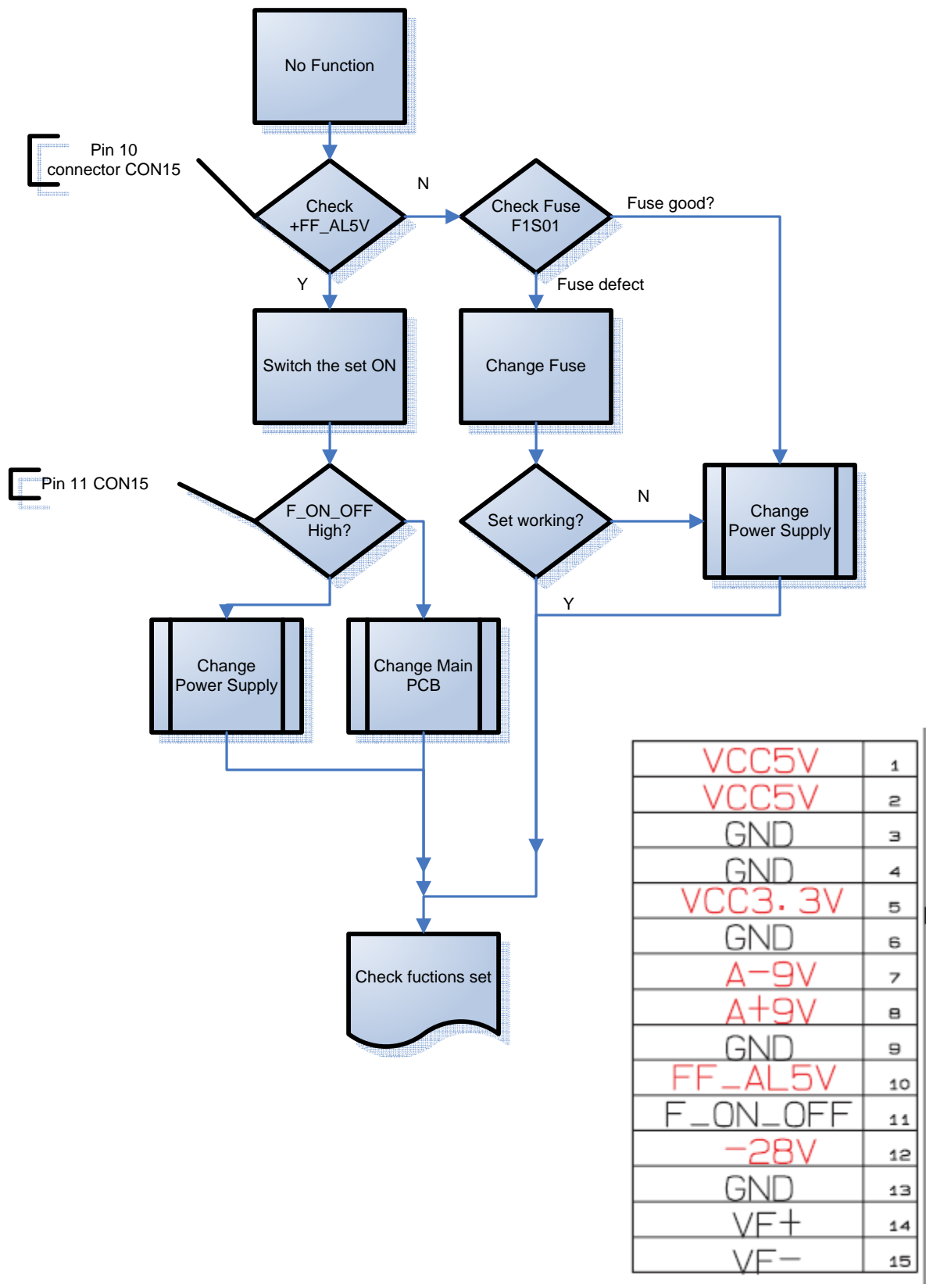
All rights are reserved. Reproduction in whole or in part is prohibited without the written consent of the copyright owner.



Open the Flow Chart PDF.

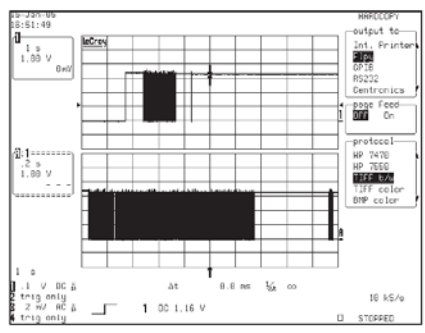
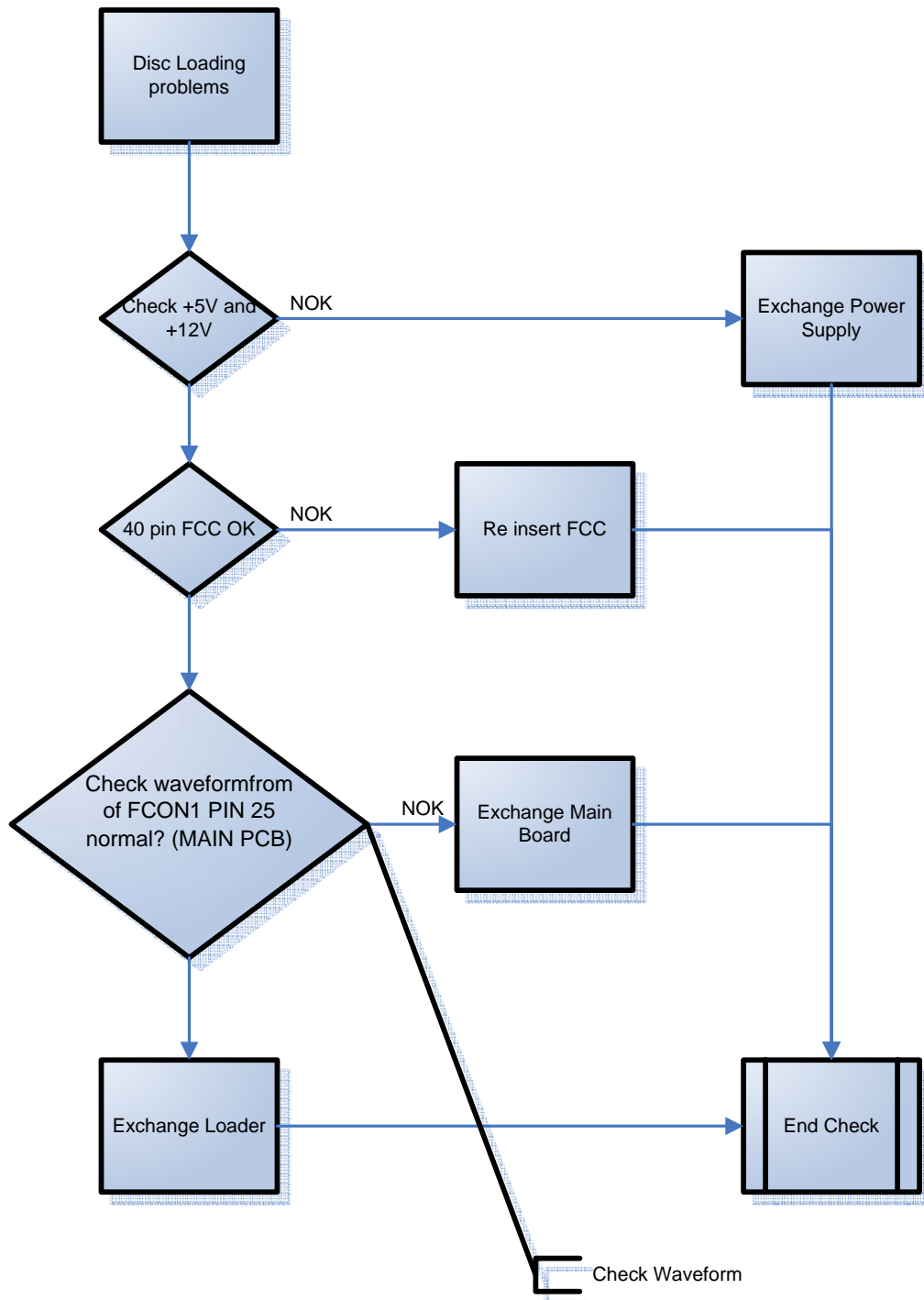
PERSONAL NOTES:

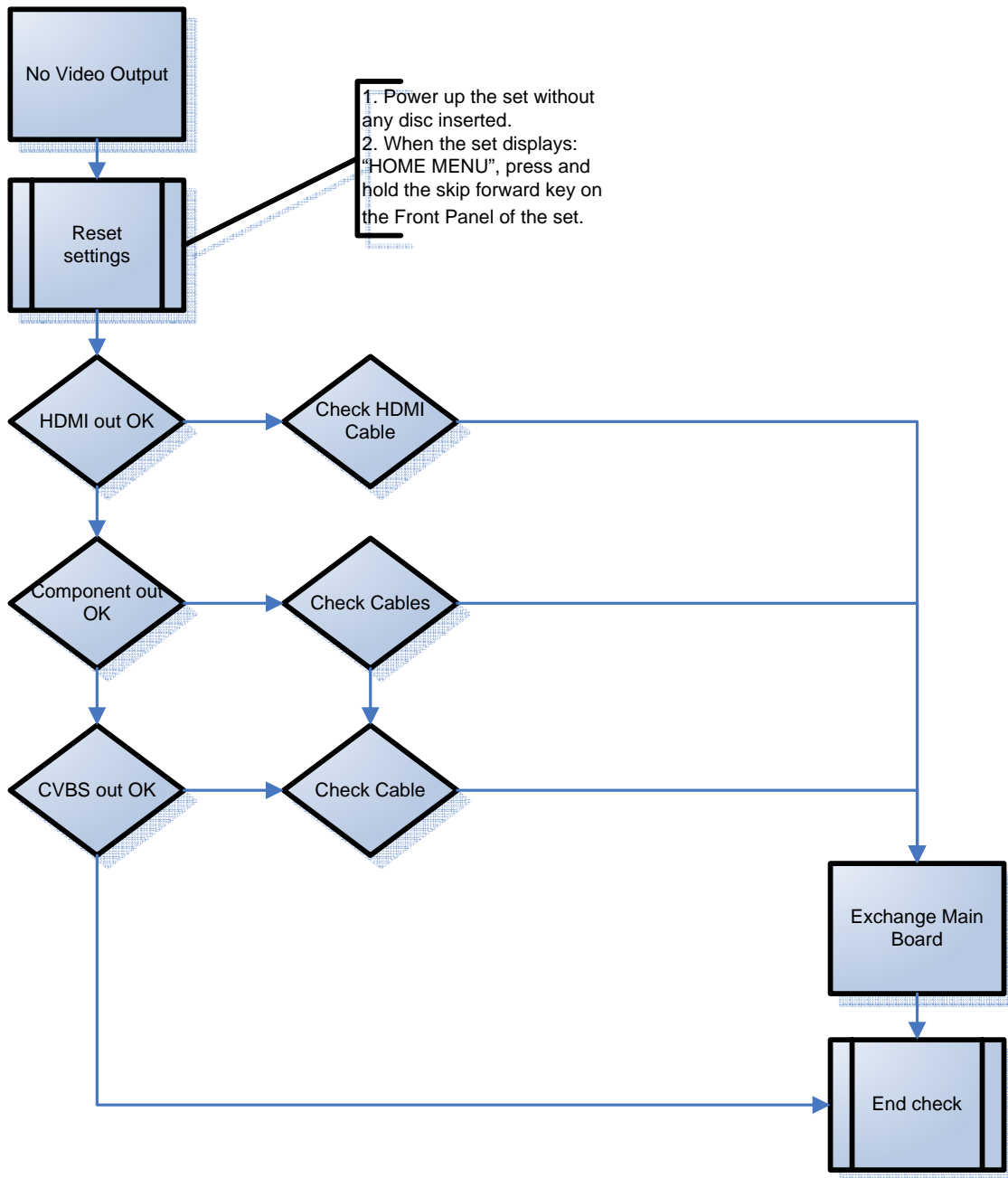
All rights are reserved. Reproduction in whole or in part is prohibited without the written consent of the copyright owner.

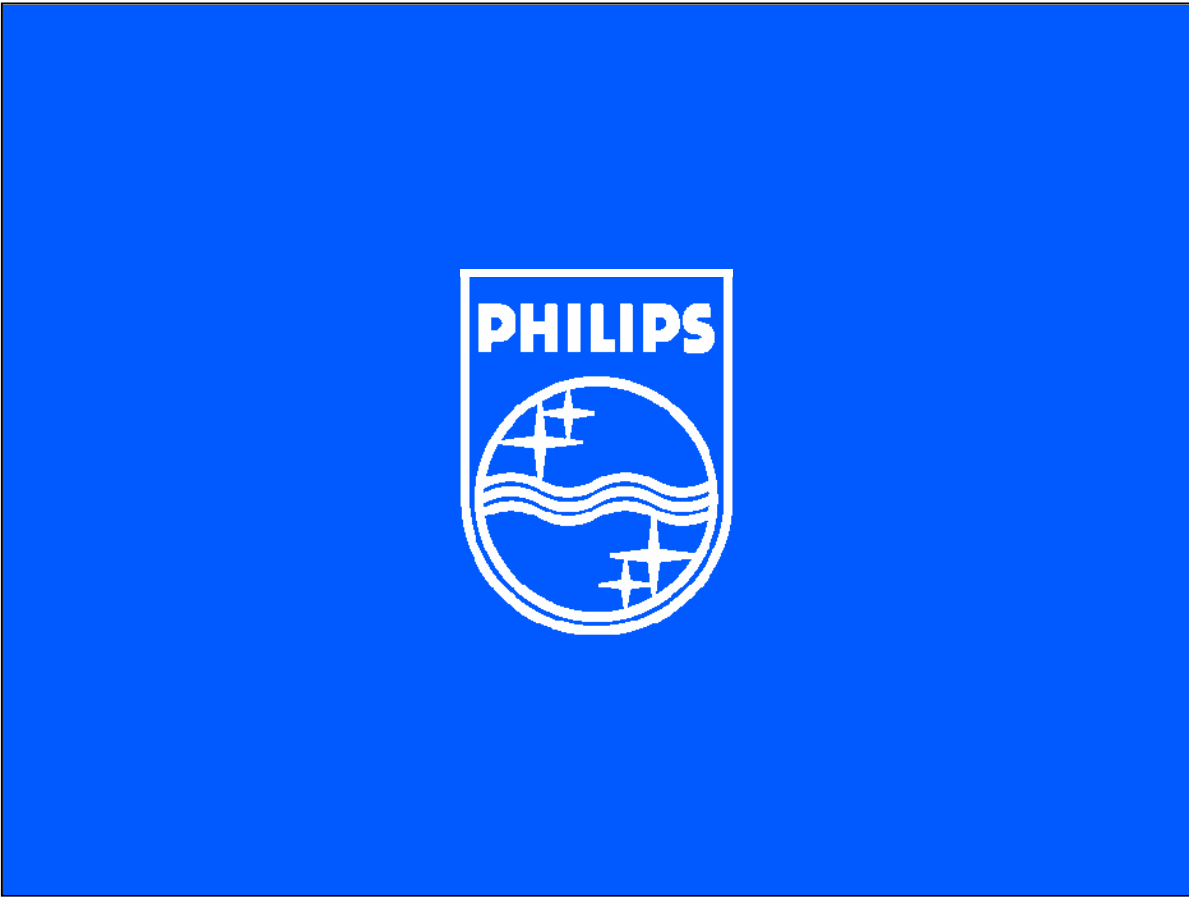


VCC5V	1
VCC5V	2
GND	3
GND	4
VCC3.3V	5
GND	6
A-9V	7
A+9V	8
GND	9
FF_AL5V	10
F_ON_OFF	11
-28V	12
GND	13
VF+	14
VF-	15

CONN 15 Power Supply







PERSONAL NOTES:

All rights are reserved. Reproduction in whole or in part is prohibited without the written consent of the copyright owner.